



VIVA® Dual Access Animal Containment Workstation, Model VDA-4A_



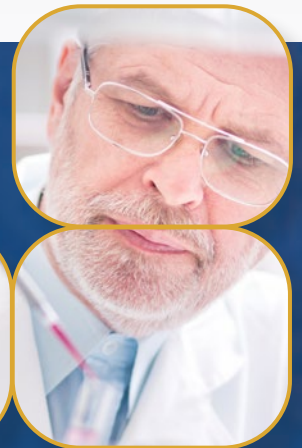
VIVA® Universal Animal Containment Workstation, Model VA2-4A_-E



VIVA® Bedding Disposal Animal Containment Workstation, Model VBD-4A_

VIVA® Animal Research Workstations

The Portable Safety Solution for Animal Research Laboratories





Airflow Sensor

- Real-time airflow monitoring system
- Alerts the user if the airflow is insufficient

Sentinel™ Gold Microprocessor Controller

- Displays all safety information on one screen
- Centered and angled down for an easy reach & viewing
- Selectable quickstart mode for fast operation



Easy-to-clean Work Surface and Drain pan

- Two-piece, easy-to-lift stainless steel tray
- Drain hole on both sides to dump animal bedding



Easy Work Access

- Large access opening of 344 mm (14")
- Accommodates rat and mouse cages
- Hinged up for easy cleaning



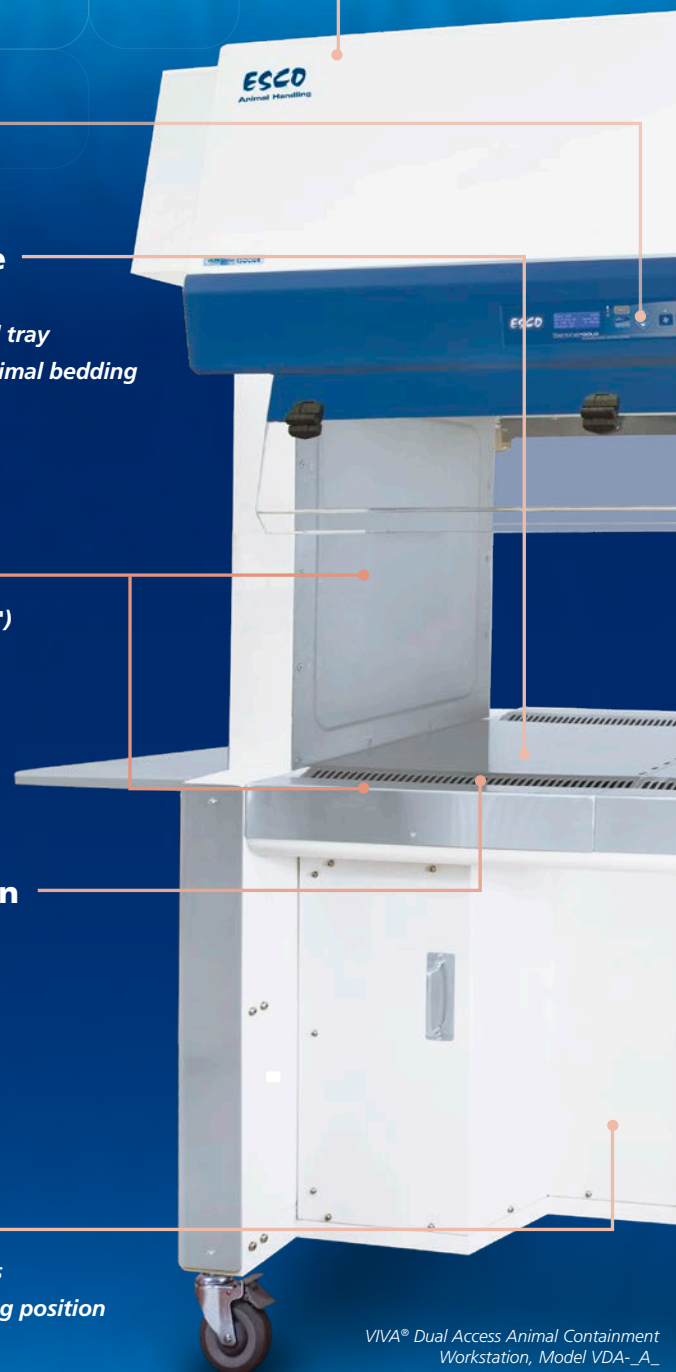
Advanced Work Tray Design

- V-shaped grill to avoid blocking
- Center grill to separate clean and contaminated area
- Large tray handle for easy lifting



Comfortable Leg Room

- 254 mm (10") leg room on both sides
- Reduces user's fatigue when in sitting position
- Hydraulic motor to adjust the height



VIVA® Dual Access Animal Containment Workstation, Model VDA-_A_
Available in 1.2, and 1.5 meter models (4', and 5').

Accessories and Options

Contact Esco or your Esco Sales Representative for details.

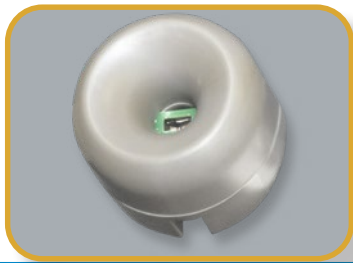
- Electrical Outlets
- Feed Hopper
- Foldable Side Tray
- Service Fixtures
- Side Shield



Side Shield



Feed Hopper



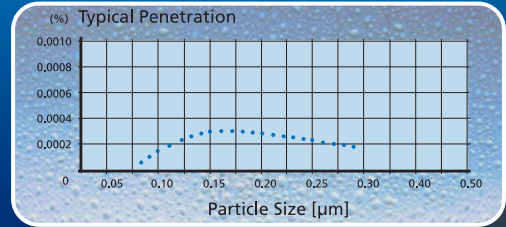
ELISA Proven Containment

- Provides >99% allergen containment to ensure user's safety



ULPA Filter

- 10x filtration efficiency than of HEPA filter
- Creates an ISO Class 3 work-zone instead of the industry-standard ISO Class 5



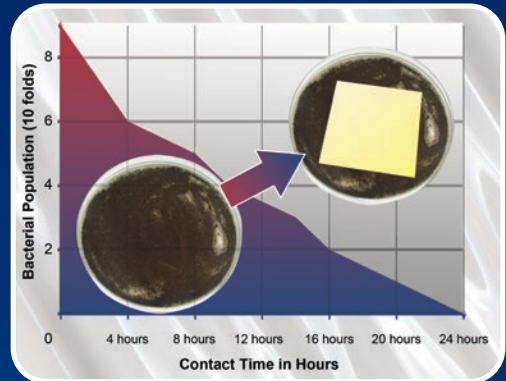
Quiet Operation

- Comfortable low noise emission at 53 for the users and animals



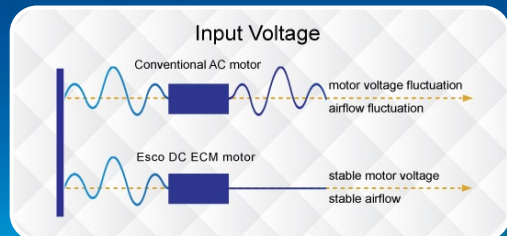
Isocide™ Antimicrobial Coating

- Silver-ion impregnated powder coat
- Inhibits the microbial growth to improve safety



Dual Energy-efficient DC ECM Blower

- Powered by the latest generation DC ECM that is more efficient than legacy ECM and VFD motors
- 70% Energy savings compared to AC motor
- Stable airflow despite building voltage fluctuations & filter loading



	Air Quality	Filtration	Electrical Safety
Standards Compliance	ISO 14644.1, Class 3, Worldwide JIS B9920, Class 3, Japan JIS BS5295, Class 3, Japan US Fed Std 209E, Class 1 USA	EN-1822 (H14), Europe IEST-RP-CC001.3, USA IEST-RP-CC007, USA IEST-RP-CC034.1, USA	UL-61010A-1, USA CSA22.2, No.1010-192, Canada EN61010-1, Europe IEC61010-1, International



Airflow Sensor

- Real-time airflow monitoring system
- Alerts the user if the airflow is insufficient

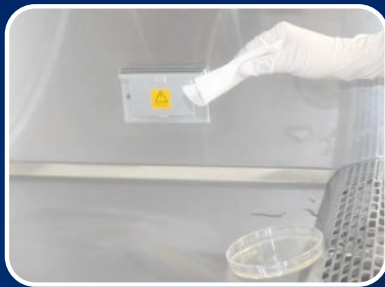
Sentinel™ Gold Microprocessor Controller

- Displays all safety information on one screen
- Centered and angled down for an easy reach & viewing
- Selectable quickstart mode for fast operation



Single-Piece Wall

- Large radius for easy cleaning
- Side-mounted electrical outlets and staggered service fixtures



Single-Piece Work Tray

- Recessed working area to contain spillage
- Curved grill to prevent blockage



Raised Arm Rest

- Helps prevent grille blocking
- Comfortable working posture

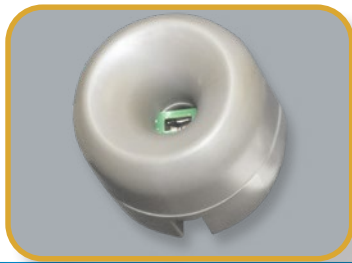


Angled Drain Pan

- Helps prevent grille blocking
- Does not harbor contaminants

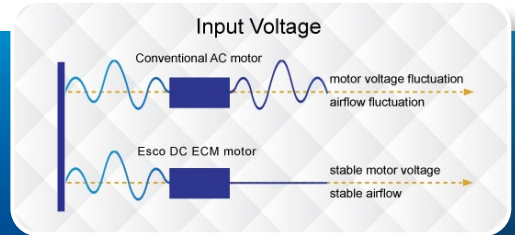


VIVA® Universal Animal Containment Workstation, Model VA2-A-E
Available in 1.2, and 1.8 meter models (4', and 6').



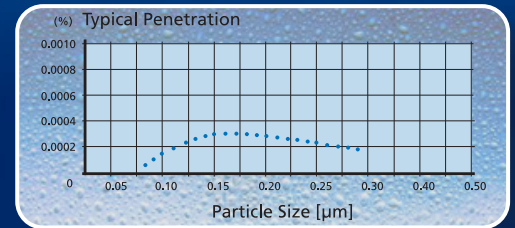
Energy Efficient DC ECM Blower

- Powered by the latest generation DC ECM that is more efficient than legacy ECM and VFD motors
- 70% Energy savings compared to AC motor
- Stable airflow despite building voltage fluctuations & filter loading



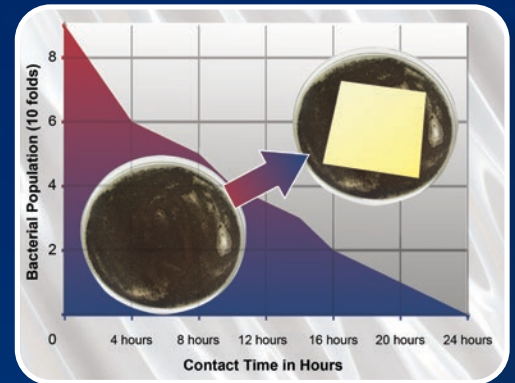
ULPA Filter

- 10x filtration efficiency than of HEPA filter
- Creates an ISO Class 3 work-zone instead of the industry-standard ISO Class 5



Isocide™ Antimicrobial Coating

- Silver-ion impregnated powder coat
- Inhibits the microbial growth to improve safety



ELISA-proven Containment

- Provides >99% allergen containment to ensure user's safety

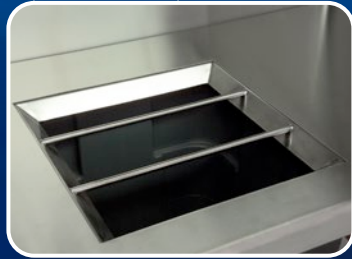


Standards Compliance	Air Quality	Filtration	Electrical Safety
	ISO 14644.1, Class 3, Worldwide JIS B9920, Class 3, Japan JIS B55295, Class 3, Japan US Fed Std 209E, Class 1 USA	EN-1822 (H14), Europe IEST-RP-CC001.3, USA IEST-RP-CC007, USA IEST-RP-CC034.1, USA	UL-61010A-1, USA CSA22.2, No.1010-192, Canada EN61010-1, Europe IEC61010-1, International



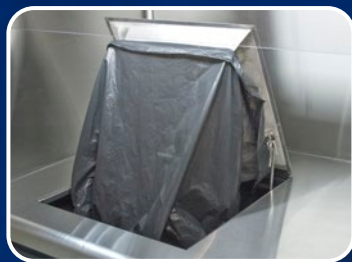
Sentinel™ Silver Microprocessor Controller

- Displays all safety information on one screen
- Centered and angled down for easy reach & viewing



Bang Bars

- Increases efficiency of bedding disposal operations



Integrated Waste Chute

- Disposes refuse bag safely within the work-zone

Airflow Sensor

- Real-time airflow monitoring system
- Alerts the user if the airflow is insufficient



VIVA® Bedding Disposal Animal Containment Workstation, Model VBD-4A_

Available in 1.2 meter model (4') only.



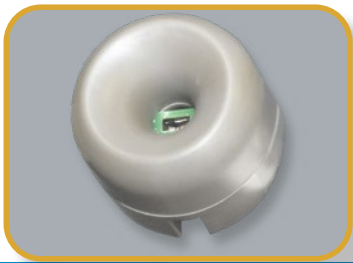
User and Environment Protection

The VIVA Bedding Disposal Workstation provides operator and environment protection User animal allergen.



Exclusive hydraulic height-adjustable stand

Allows the work surface height to be adjusted to user preference, therefore minimizing strain during repetitive operations.



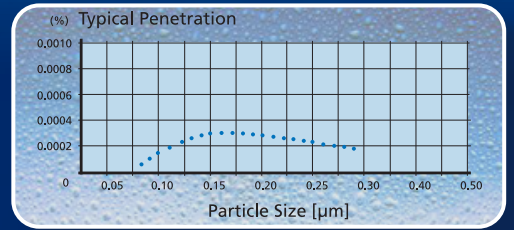
Carbon Filter

- Nanocarb activated carbon filter to remove unpleasant odors



ULPA Filter

- 10x filtration efficiency than of HEPA filter
- Creates an ISO Class 3 work-zone instead of the industry-standard ISO Class 5



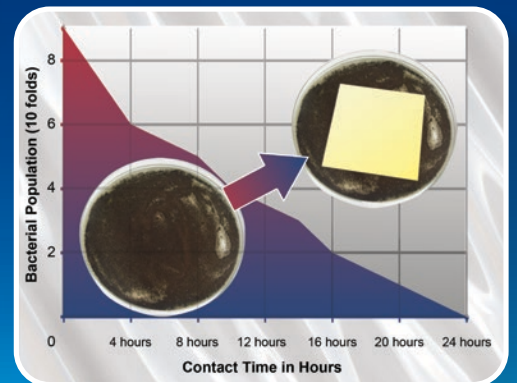
ELISA-proven Containment

- Provides >99% allergen containment to ensure user's safety



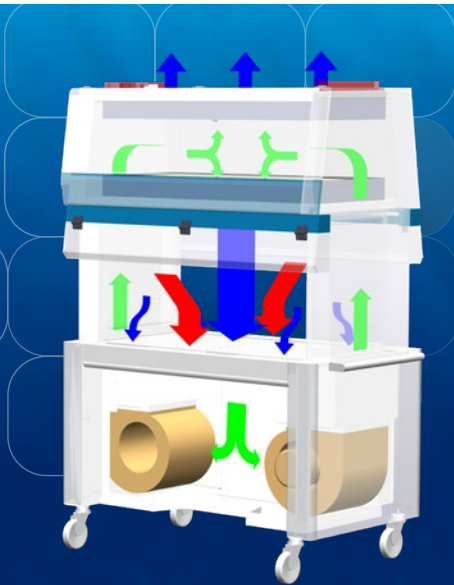
Isocide™ Antimicrobial Coating

- Silver-ion impregnated powder coat
- Inhibits the microbial growth to improve safety



Standards Compliance	Filtration	Electrical Safety
	EN-1822 (H14), Europe IEST-RP-CC001.3, USA IEST-RP-CC007, USA IEST-RP-CC034.1, USA	UL61010-1, USA

AIRFLOW PATTERN



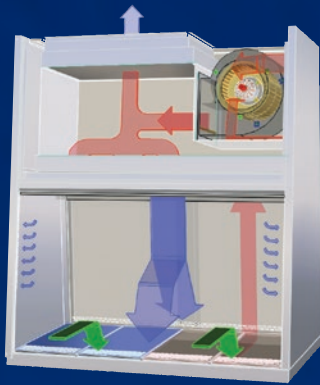
VDA Cabinet Airflow System

- The VDA Dual Access Workstation employs a recirculating airflow configuration for better filtration efficiency.
- The blower system pulls ambient intake air through the front grilles, creating inflow that provides operator protection from allergen inside the work-zone. An activated carbon pre-filter removes unpleasant odors
- Air flows through the common plenum on top of the cabinet. A portion of it goes up through ULPA filter as exhaust to create inflow. The remaining portion goes down

- ULPA-filtered air
- Unfiltered / Potentially contaminated air
- Room air / Inflow air

through ULPA supply filter and bathes the work-zone in clean laminar air with a non-turbulent downflow.

- The combination of vertical laminar inflow and downflow creates an air curtain to protect the user from contaminants released from the work surface.



VA2 Cabinet Airflow System

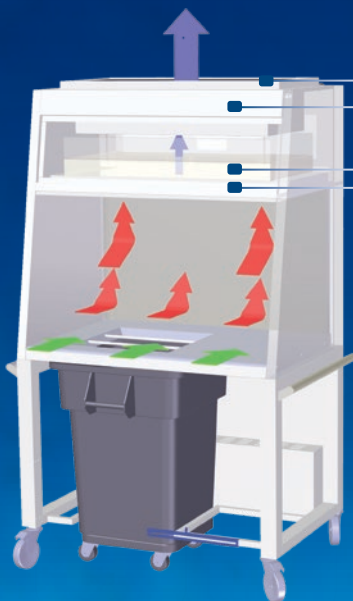
- Ambient air pulled through the perforations towards the work-zone front prevents contamination of the work surface and work product. The inflow does not mix with the clean air within the cabinet work-zone. Inflow air travels through a return path towards the common air plenum (blower plenum) at the top of the cabinet.
- Approximately 40% of the air in the common plenum is exhausted through the ULPA filter to the room. The remaining 60% of the air is passed through the downflow ULPA filter and into the work area as a vertical laminar flow air stream bathing the work surface in clean air.

- ULPA-filtered air
- Unfiltered / Potentially contaminated air
- Room air / Inflow air

- The uniform, non-turbulent air stream protects against cross-contamination within and throughout the work area.

- Near the work surface, the ULPA-filtered downflow air stream splits with a portion moving toward the front air grille, and the remainder moving to the rear air grille. A small portion of the downflow enters the side capture zones at a higher velocity (small blue arrows).

- A combination of inflow and downflow air streams form an air barrier that prevents contaminated room air from entering the work-zone, and prevents work surface emissions from escaping the work-zone.



VBD Cabinet Airflow System

- Carbon Filter
- Blower
- Exhaust ULPA Filter
- Pre-filter

- Room air is drawn in across the front of the cabinet with an average velocity of 0.35 m/s (70 fpm).
- Air is drawn up through the cabinet's work-zone and forced through the ULPA filter (>99.999% typical efficiency for 0.1 to 0.3 micron sized particles).

- ULPA-filtered air
- Unfiltered / Potentially contaminated air
- Room air / Inflow air

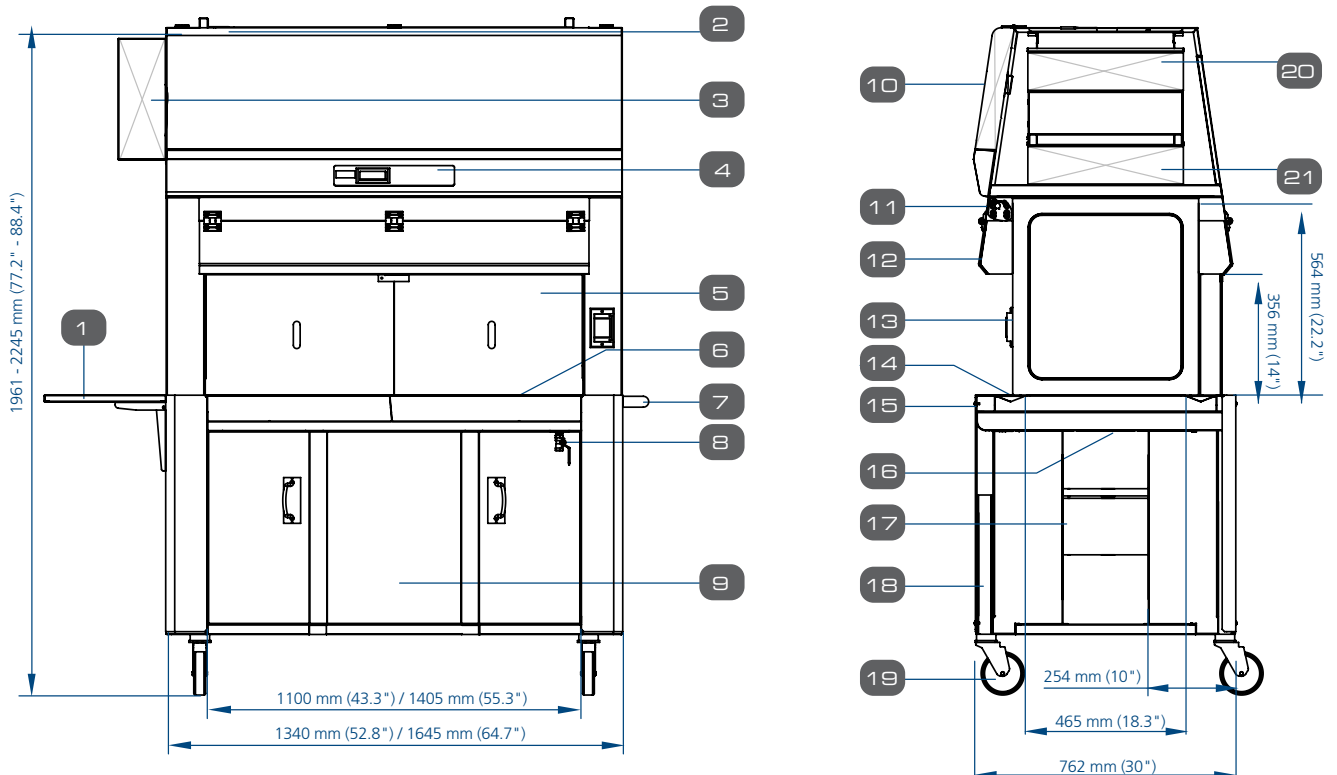
- The full work-zone ceiling extraction system ensures airflow uniformity throughout the cabinet's main chamber.

- The ULPA filtered air then returns to the laboratory stripped of all airborne contaminants and odor.

General Specifications, Dual Access Animal Containment Workstation, Model VDA

Model	VDA-4A_	VDA-5A_
External Dimensions (W x D x H)	1340 x 762 x 1961 mm (52.8" x 30.0" x 77.2") min height 1340 x 762 x 2245 mm (52.8" x 30.0" x 88.4") max height	1645 x 762 x 1961 mm (64.7" x 30.0" x 77.2") min height 1645 x 762 x 2245 mm (64.7" x 30.0" x 88.4") max height
Internal Work Area (W x D x H)	1100 x 465 x 564 mm (43.3" x 18.3" x 22.2")	1405 x 465 x 564 mm (55.3" x 18.3" x 22.2")
Downflow Velocity	0.24 m/s (47 fpm)	
Pre-Filter	Disposable and non-washable polyester fibres with 85% arrestence / EU3 rated	
ULPA Filter Typical Efficiency	>99.999% for particle size between 0.1 to 0.3 microns, per IEST-RP-CC001.3	
Sound Emission per EN 12469*	53 dBA	54 dBA
Fluorescent Lamp Intensity at Zero Ambient	1725 lux (160 foot candles)	1525 lux (142 foot candles)
Construction, Main Body	1.5 mm (0.06") 16 gauge EG Steel with Isocide™ Oven-Baked Epoxy-Polyester Powder Coated Finish	
Shipping Dimensions, Maximum (W x D x H)	1720 x 820 x 2240 mm (67.7" x 32.2" x 88.1")	2025 x 820 x 2240 mm (79.7" x 32.2" x 88.1")
Shipping Weight	342 Kg (754 lbs)	432 Kg (952 lbs)
Shipping Volume, Maximum	3.16 m ³ (111.6 cu.ft.)	3.72 m ³ (131.4 cu.ft.)
Electrical Rating	VDA-_A8	220-240 VAC, 50 / 60 Hz, 1Ø
	VDA-_A9	110-130 VAC, 50 / 60 Hz, 1Ø
Power Consumption	VDA-_A8	190 W
	VDA-_A9	210 W
Accessories	Foldable Side Tray (SS Shelf Kit)	VDA-001 5170257
	Side Shield	VDA-004 5170562
	Feed Hopper	VDA-006 5170594

* Noise as measured in an open field / anechoic chamber.



1. Foldable Side Tray
2. Airflow Sensor
3. Retractable Cord Reel (30 ft)
4. Sentinel™ Gold Microprocessor Control System
5. Optional Side Shield
6. Stainless Steel Work Top
7. Push Handle
8. Drain Valve

9. Knee Space (254 mm / 10" Deep) at both sides
10. Electrical Panel
11. T5 Fluorescent Lamps (1 on each side)
12. Hinged Polycarbonate Window
13. GFCI Electrical Outlets with Dip Proof Cover (1 on each right side)
14. Recessed Air Intake Grill
15. Arm Rest

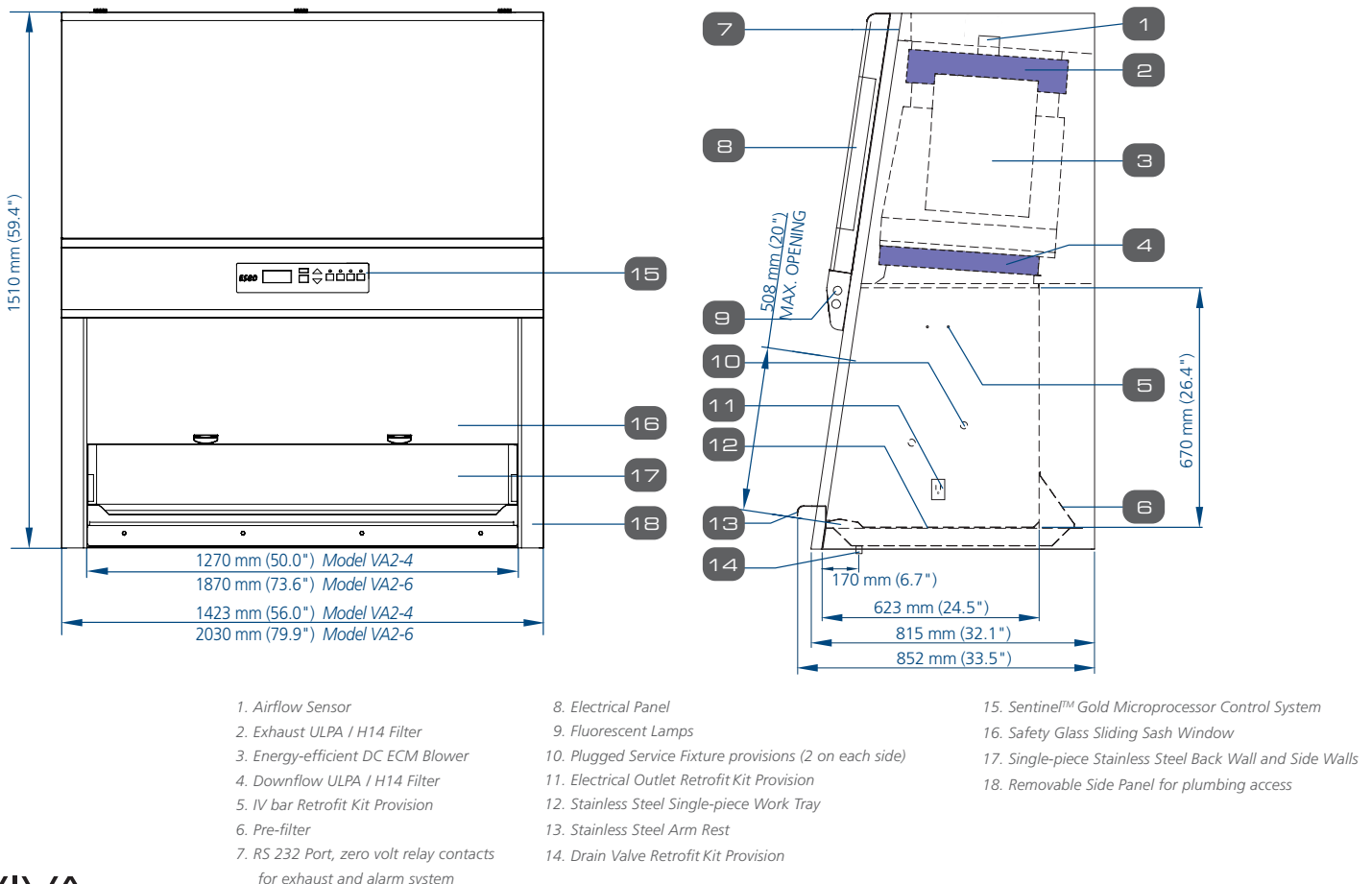
16. Impregnated Activated Carbon Pre-filter
17. DC ECM Blower (Self-compensating and Low Noise)
18. Electric Hydraulic Height Adjustor
19. Caster Wheels
20. Exhaust ULPA/H14 Filter
21. Downflow ULPA/H14 Filter

General Specifications, VIVA Universal Animal Containment Workstation, Model VA2

Model		VA2-4A -E	VA2-6A -E	
Nominal Size		1.2 meter (4')	1.8 meter (6')	
External Dimensions (W x D x H)		1423 x 815 x 1510 mm (56" x 32.1" x 59.4")	2030 x 815 x 1510 mm (79.9" x 32.1" x 59.4")	
Maximum External Dimensions with Support Stand (W x D x H)		1585 x 852 x 2235 mm (62.4" x 33.5" x 88.0")	2193 x 852 x 2235 mm (86.3" x 33.5" x 88.0")	
Internal Work Area (W x D x H)		1270 x 623 x 680 mm (50.0" x 24.5" x 26.7")	1870 x 620 x 680 mm (73.6" x 24.4" x 26.7")	
Average Airflow Velocity	Inflow	0.45 m/s (90 fpm)		
	Downflow	0.35 m/s (70 fpm)		
Airflow Volume	Inflow	625 m ³ / h (368 cfm)	921 m ³ / h (542 cfm)	
	Downflow, 60%	959 m ³ / h (547 cfm)	1414 m ³ / h (832 cfm)	
	Exhaust, 40%	625 m ³ / h (368 cfm)	921 m ³ / h (542 cfm)	
ULPA Filter Typical Efficiency		>99.999% for particle size between 0.1 to 0.3 microns per IEST-RP-CC001.3		
Sound Emission*	NSF / ANSI 49	63 dBA	64 dBA	
	EN 12469	60 dBA	61 dBA	
Fluorescent Lamp Intensity		> 1400 lux (> 130 foot candles)	> 1230 lux (> 114 foot candles)	
Cabinet Construction		1.5 mm (16 gauge) electrogalvanized steel with Isocide white oven-baked epoxy power coating		
Net Weight Cabinet including stand		406 Kg (895 lbs)	528 Kg (1164 lbs)	
Shipping Weight Cabinet including stand		456 Kg (1005 lbs)	570 Kg (1257 lbs)	
Shipping Dimensions, Maximum (W x D x H) Cabinet excluding stand		1550 x 950 x 1900 mm (61.0" x 37.4" x 74.8")	2150 x 950 x 1900 mm (84.6" x 37.4" x 74.8")	
Shipping Volume, excluding stand		2.80 m ³ (99 cu.ft.)	3.88 m ³ (137 cu.ft.)	
Electrical*	Model	Voltage	Model	Voltage
	VA2-4A1-E	220-240 VAC, 50/60 Hz, 1Ph, 5.5 amps	VA2-6A1-E	220-240V, AC, 50/60 Hz, 1Ph, 6 amps
	VA2-4A2-E	110-120 VAC, 50/60 Hz, 1Ph, 11 amps	VA2-6A2-E	110-120V, AC, 50/60 Hz, 1Ph, 12 amps

10

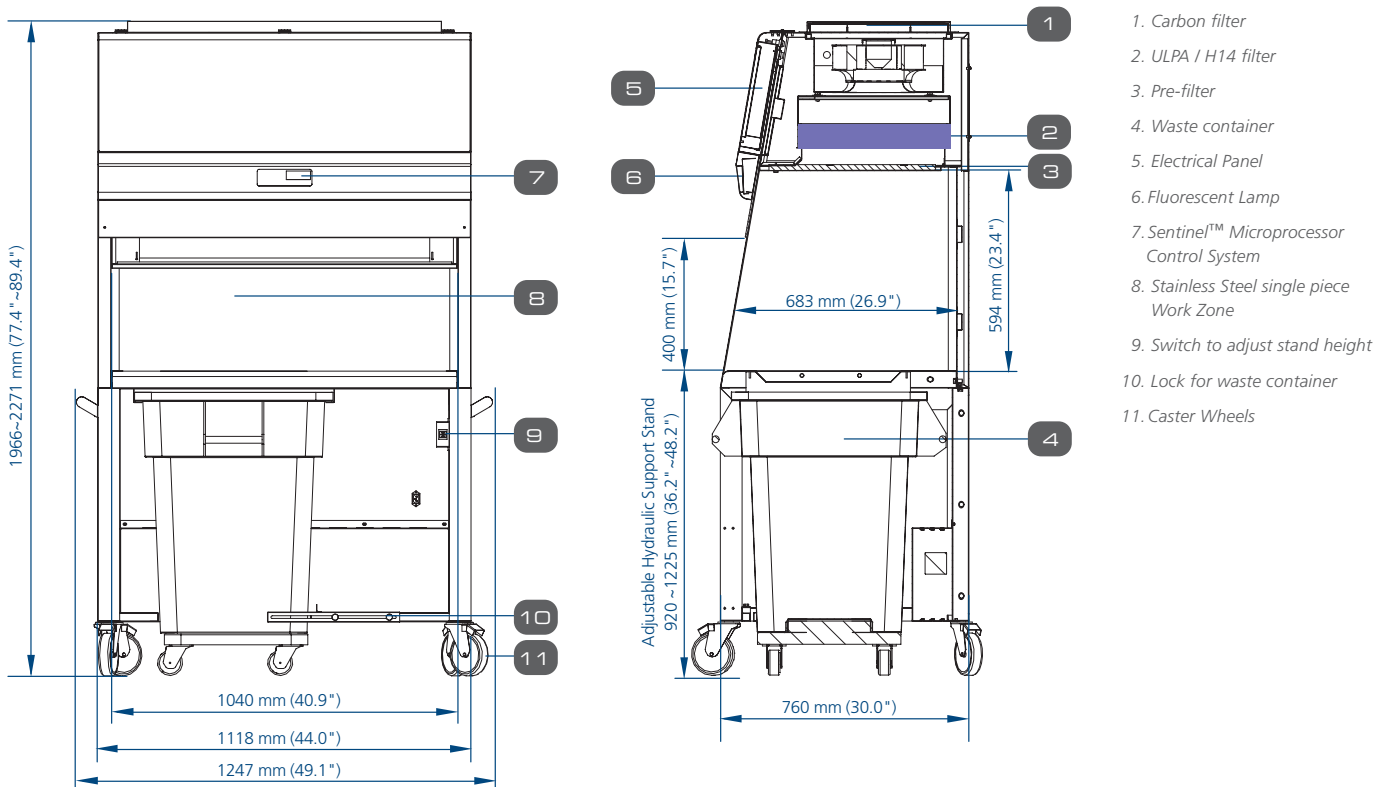
* Noise as measured in an open field / anechoic chamber.



General Specifications, VIVA Bedding Disposal Workstation, Model VBD-4A_

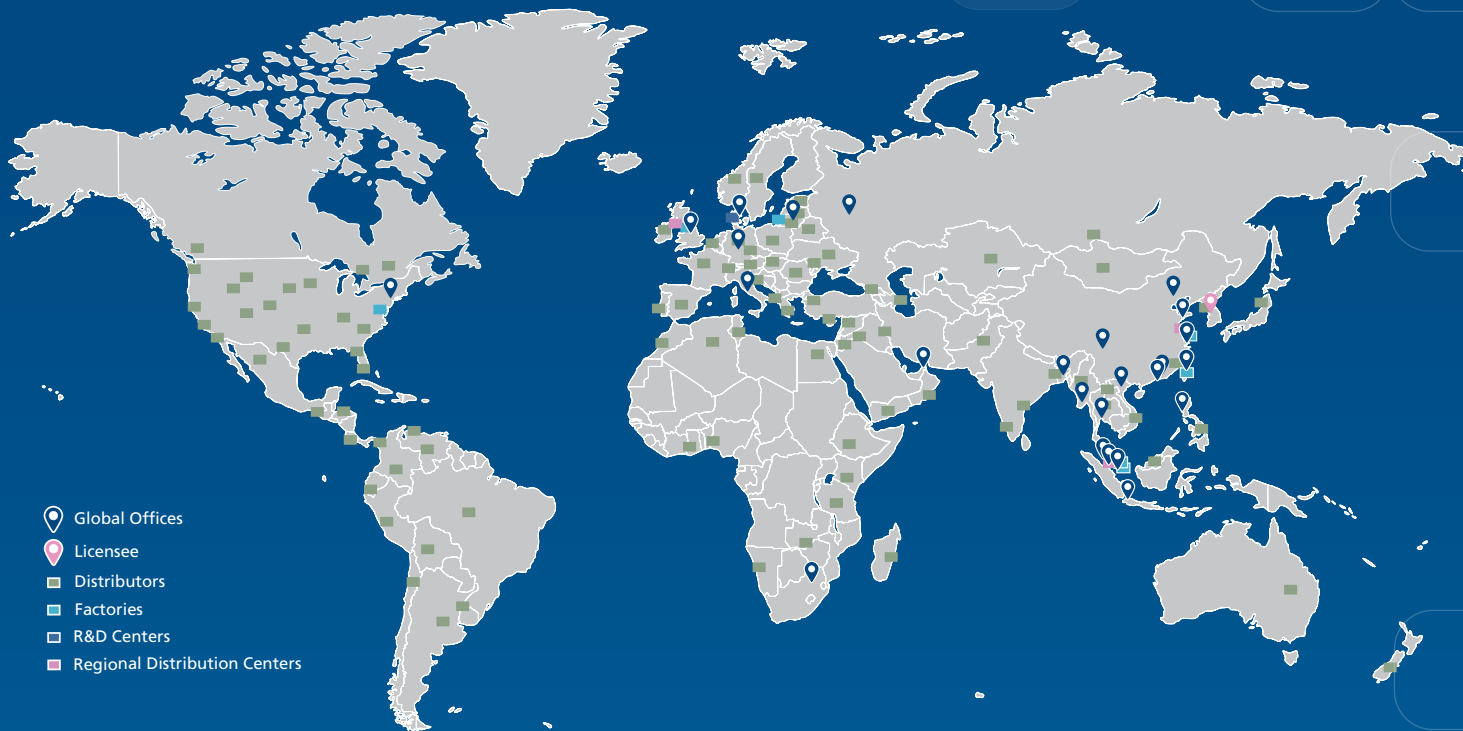
Nominal Size		1.2 meter (4')		
External Dimensions (W x D x H)		1247 x 760 x 1966 mm (49.1" x 30.0" x 77.4") minimum height 1247 x 760 x 2271 mm (49.1" x 30.0" x 89.4") maximum height		
Internal Work Area (W x D x H)		1040 x 680 x 594 mm (40.9" x 26.8" x 23.4")		
Work Surface Height		920 mm ~ 1225 mm (36.2" ~ 48.2")		
Front Opening		400 mm (15.7")		
Inflow Velocity		0.35 m/s (70 fpm) at initial setpoint		
Pre-Filter		Disposable, non-washable polyester fiber, 85% arrestance, EU3 rated		
ULPA Filter Typical Efficiency		>99.999% at 0.1 to 0.3 microns as per IEST-RP-CC001.3 USA		
Sound Emission* Per EN 12469		58 dBA		
Fluorescent Lamps		> 1,300 lux (> 121 foot candles)		
Workstation Construction	Main Body	1.2 mm (0.05") 18 gauge electro-galvanized steel with Isocide™ white oven-baked epoxy-polyester powder-coating		
	Work Top	1.2 mm (0.05") 18 gauge stainless steel, type 304, with 4B finish		
	Inner Liner	0.9 mm (0.035") 20 gauge stainless steel, type 304, with 4B finish		
Net Weight		233 Kg (514 lbs)		
Shipping Weight		294 Kg (648 lbs)		
Shipping Dimensions, Maximum (W x D x H)		2150 x 1840 x 1230 mm (84.6" x 72.4" x 48.4")		
Shipping Volume, Maximum		4.87 m ³ (172 cu.ft.)		
Electrical**	Model	VBD-4A1	VBD-4A2	VBD-4A3
	Voltages	220-240 VAC, 50 Hz, 1Φ	110-120 VAC, 60 Hz, 1Φ	220-240 VAC, 60 Hz, 1Φ
	Cabinet Full Load Amps (FLA)	3 A	6.5 A	3 A
	Optional Outlets FLA	5 A	5 A	5 A
	Cabinet Nominal Power	309 W	268 W	309 W
	Cabinet BTU	1054	914	1054

* Noise as measured in an open field / anechoic chamber.



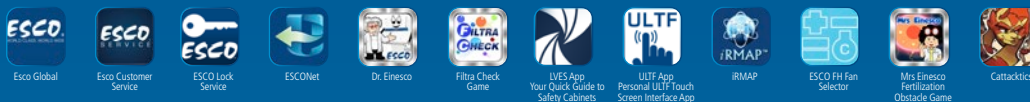
ESCO LIFSCIENCES GROUP

42 LOCATIONS IN 21 COUNTRIES ALL OVER THE WORLD



- Global Offices
- Licensee
- Distributors
- Factories
- R&D Centers
- Regional Distribution Centers

Join us on Social Media and Download our Apps!



Filtra Check App
The World's First Chemical
Evaluation App



Esco Social Media
and Apps

ESCO

LIFSCIENCES GROUP

Esco Micro Pte. Ltd. • 21 Changi South Street 1 • Singapore 486 777
Tel +65 6542 0833 • Fax +65 6542 6920 • mail@escolifesciences.com
www.escolifesciences.com

Esco Technologies, Inc. • 903 Sheehy Drive, Suite F, Horsham, PA 19044, USA
Tel: +1 215-441-9661 • Fax 484-698-7757
eti.admin@escolifesciences.com

Esco Lifesciences Group Offices: Bangladesh | China | Denmark | Germany | Hong Kong | India | Indonesia | Italy | Japan | Lithuania | Malaysia | Myanmar | Philippines | Russia | Singapore | South Africa | South Korea | Taiwan | Thailand | UAE | UK | USA | Vietnam